



TRANSITIONS® Angled Entry Mat

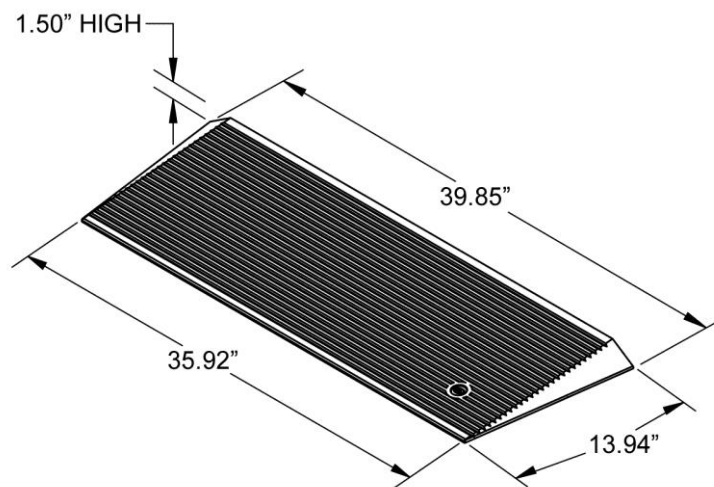
Technical Specifications

MODEL	TAEM 1.5	TAEM 2.5
MADE 100% RECYCLED RUBBER	✓	✓
SLIP-RESISTANT SURFACE	✓	✓
AVAILABLE COLORS	Black, Storm Grey, and Hazelnut Brown	Black, Storm Grey, and Hazelnut Brown
USABLE SIZE (H x L x W)	1.5" x 14" x 36"	2.5" x 25" x 36"
OVERALL SIZE (H x L x W)	1.5" x 14" x 40"	2.5" x 25" x 43"
WEIGHT*	14 lbs.	31 lbs.
WEIGHT CAPACITY (DO NOT EXCEED)	850 lbs.	850 lbs.
FOR WHEELCHAIRS & SCOOTERS	✓	✓
USAGE GUIDELINES (RISE)**	1.5"	2.5"
WARRANTY	Lifetime Limited	Lifetime Limited

* Weights and dimensions are approximate and subject to change.

** Consult your mobility equipment's owner guide for the proper slope/incline. Never exceed its recommendations.

TAEM 1.5



TAEM 2.5

