

drive
MEDICAL DESIGN & MANUFACTURING

www.drivemedical.com

lifetime limited warranty

Your Drive brand product is warranted to be free of defects in materials and workmanship for the lifetime of the original consumer purchaser.

This device was built to exacting standards and carefully inspected prior to shipment. This Lifetime Limited Warranty is an expression of our confidence in the materials and workmanship of our products and our assurance to the consumer of years of dependable service.

In the event of a defect covered by this warranty, we will, at our option, repair or replace the device.

This warranty does not cover device failure due to owner misuse or negligence, or normal wear and tear. The warranty does not extend to non-durable components, such as rubber accessories, casters, and grips, which are subject to normal wear and need periodic replacement.

If you have a question about your Drive device or this warranty, please contact an authorized Drive dealer.

drive
MEDICAL DESIGN & MANUFACTURING

© 2006 Medical Depot, Inc. All rights reserved.
Drive is a trademark of Medical Depot, Inc.
Port Washington N.Y. 11050 USA Made in China

chair assist table
right entry

item # 13085R

drive
MEDICAL DESIGN & MANUFACTURING

www.drivemedical.com

assembly instructions

1. Place the base (#7) under the right side of chair with the magazine rack opening facing the rear of chair. Place the front right leg of the chair on the positioning pad (#8) located near the magazine rack.
2. Stand the Column (#6) on end, making sure the Trip Rod is visible in the rectangular tube but not protruding out of the top, as shown in Fig. 1. If necessary, shake the Column (#6) until the rod drops.
3. Insert Trip Handle (#4) into the Column (#6) with the rounded side up. Be sure the Trip Handle (#4) rests on top of the rod inside the Column foot (#6). Fig. 1
4. Place the Top (#1) on a flat surface, with the Top Bracket (#8) facing upward. Then, while holding the Trip Handle (#4) in place so it doesn't fall out, insert the Column (#6) into the Top Bracket (#8). Align the holes in the Column foot (#6), the Trip Handle (#4) and the Top Bracket (#8). Install both bolts (#2) and both nuts (#5) thru these aligned holes with the two (2) 7/16" wrenches. Fig. 2
5. Pick up the Top (#1) and Column (#6) and place over the round tube on the Base (#7) inside of the magazine rack. Be sure the Column (#6) has dropped down all the way!
6. Remove the black shipping screw in the column and replace it with the zinc plated screw (#3), using a Phillips screwdriver. Fig. 3

Tools Necessary For Assembly:

Phillips Screwdriver
(2) 7/16" Wrenches

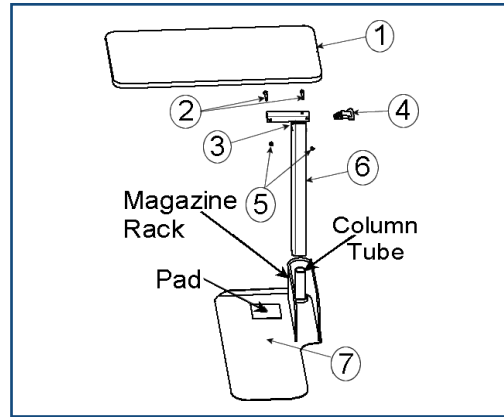


FIGURE 1

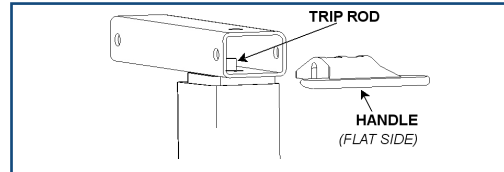


FIGURE 2

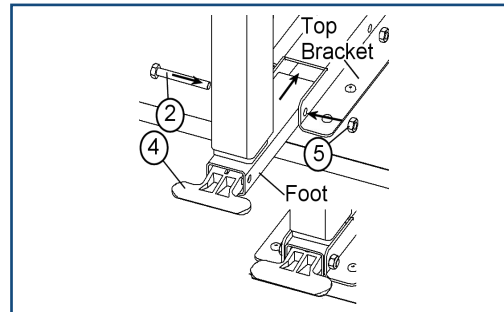
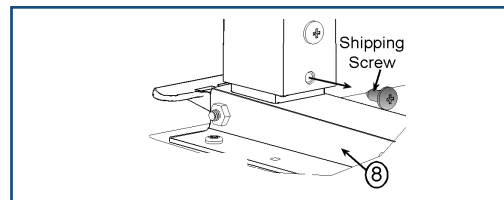


FIGURE 3



operating instructions

TO ELEVATE THE TABLE:

Push upwards at any position on the underside of the top, until the top has reached the desired height.

TO LOWER THE TABLE:

Squeeze the trip handle up towards and push the top down to the desired height. The table will operate best if the downward pressure is placed at the column end of the top.

Occasional application of light oil lubrication between the inner and outer columns will help keep your Over Bed Table operating smoothly. Penetrating oils with rust inhibitors are recommended.

The table will swing a full 360° around on the base to be used as an end table or a lap tray as needed.

THIS TABLE IS TO BE USED WITH HEAVIER CHAIRS AND COUCHES. INCORRECT POSITIONING OF TABLE BASE (#7) UNDER THE CHAIR OR COUCH MAY RESULT IN THE TABLE TIPPING OVER. (REF. ASSEMBLY STEP 1)



CAUTION--SPRING LOADED ASSEMBLY

Do not remove the black shipping screw before completing assembly steps 1- 5. Removing the shipping screw before this can result in personal injury and spring damage.

Product is NOT to be used as a left assist or to hold more than 50 lbs.