

Clear Half Trays

TRIMLINE SHAPE CLEAR HALF TRAYS

Features:

- Trimline shape offers support for people with a weakness on one side
- Made of 3/8" thick clear polycarbonate
- Heavy-duty moisture-resistant tray for institutional or long term care

CUSTOM SEATING

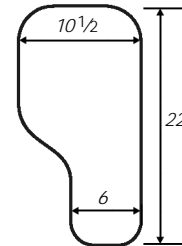
BODY POSITIONING

WHEELCHAIR TRAYS

ASSISTIVE TECHNOLOGY

PATIENT TRANSFER

Trimline Shape, No Rim	
With Adjustable Height Bracket, flip-away	
Right Side	41314
Left Side	41315



TRIMLINE

With Standard Steel Channel Bracket	
Right Side	30314
Left Side	30315

With Jazzy® Steel Channel Bracket	
Right Side	41356
Left Side	41357

With Invacare® Steel Channel Bracket	
Right Side	30570
Left Side	30569

With Permobil® Steel Channel Bracket	
Right Side	30630
Left Side	30629

With Quantum®TB3 Steel Channel Bracket	
Right Side	31780
Left Side	31779

NEW

With Bracket for Standard Permobil®Corpus 3G Armrest	
Right Side	41384
Left Side	41385

With Bracket for Heavy Duty Permobil®Corpus 3G Armrest	
Right Side	41402
Left Side	41403

NEW



Trimline Shape w/PVC Rim	
With Adjustable Height Bracket, flip-away	
Right Side	41342
Left Side	41343

With Standard Steel Channel Bracket	
Right Side	30343
Left Side	30342

With Jazzy® Steel Channel Bracket	
Right Side	41358
Left Side	41359

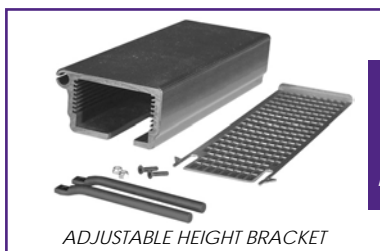
With Quantum®TB3 Steel Channel Bracket	
Right Side	31813
Left Side	31812

NEW

With Bracket for Standard Permobil®Corpus 3G Armrest	
Right Side	41388
Left Side	41389

With Bracket for Heavy Duty Permobil®Corpus 3G Armrest	
Right Side	41406
Left Side	41407

NEW



Half trays with a flip-away Adjustable Height Bracket (page 136) slide on from the front, and flip up and out to the side for easy transfer. Steel Channel Brackets (page 137) and Permobil Brackets (page 134) are also flip-away.



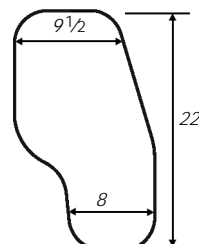
Clear Half Trays

STANDARD SHAPE CLEAR HALF TRAYS

Features:

- Standard shape offers a larger work surface
- Made of 3/8" thick clear polycarbonate
- Heavy-duty moisture-resistant tray for institutional or long term care

Standard Shape, No Rim	
With Adjustable Height Bracket, flip-away	
Right Side	41310
Left Side	41311



STANDARD

With Standard Steel Channel Bracket	
Right Side	30310
Left Side	30311

With Jazzy® Steel Channel Bracket	
Right Side	41330
Left Side	41331

With Invacare® Steel Channel Bracket	
Right Side	30572
Left Side	30571

With Permobil® Steel Channel Bracket	
Right Side	30632
Left Side	30631

With Quantum®TB3 Steel Channel Bracket	
Right Side	31782
Left Side	31781

NEW

With Bracket for Standard Permobil®Corpus 3G Armrest	
Right Side	41383
Left Side	41382

With Bracket for Heavy Duty Permobil®Corpus 3G Armrest	
Right Side	41401
Left Side	41400

NEW

Standard Shape w/PVC Rim	
With Adjustable Height Bracket, flip-away	
Right Side	41340
Left Side	41341



With Standard Steel Channel Bracket	
Right Side	30312
Left Side	30313

With Jazzy® Steel Channel Bracket	
Right Side	41332
Left Side	41333

With Quantum®TB3 Steel Channel Bracket	
Right Side	31811
Left Side	31810

NEW

With Bracket for Standard Permobil®Corpus 3G Armrest	
Right Side	41386
Left Side	41387

With Bracket for Heavy Duty Permobil®Corpus 3G Armrest	
Right Side	41404
Left Side	41405

NEW



Take a closer look at the Half Tray and the Adjustable Height Bracket with this video:

<http://tinyurl.com/HalfTray-w-Bracket>

CUSTOM SEATING

BODY POSITIONING

WHEELCHAIR TRAYS

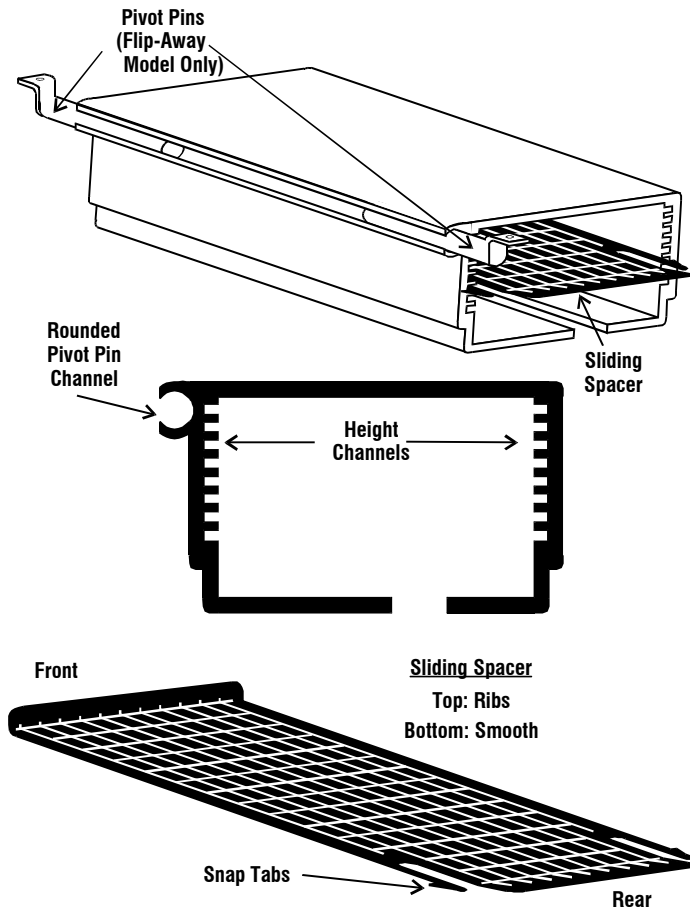
ASSISTIVE TECHNOLOGY

PATIENT TRANSFER

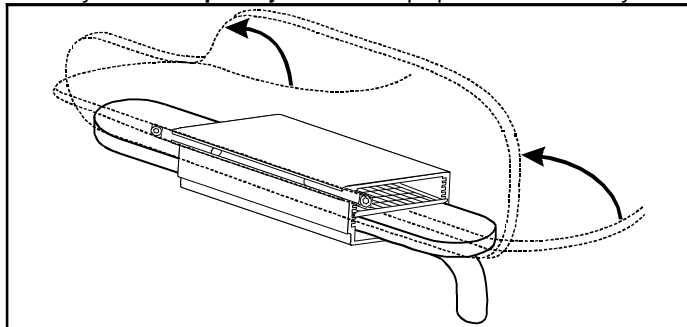
ADJUSTABLE HEIGHT HALF & 3/4 TRAYS

Adjustable Height Flip-Away Model
Adjustable Height Fixed Model
Replacement Sliding Spacer (30301)

PARTS DESCRIPTION



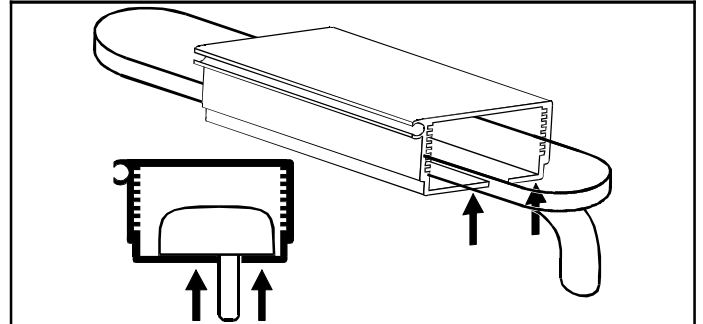
A tray with the **Flip-Away Model** will flip up and out of the way.



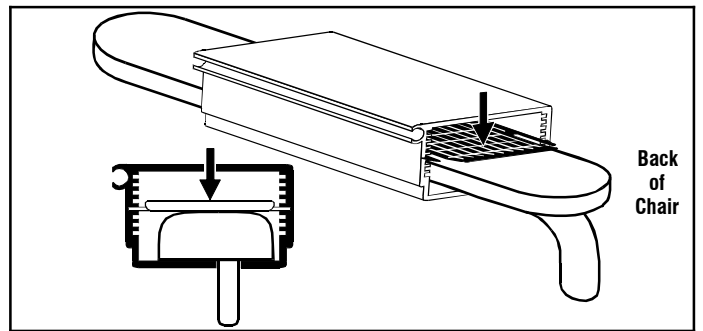
9450 W Laraway Rd • Frankfort, IL 60423
Customer 800-843-7234 • Fax 888-479-1515
www.Therafin.com • info@Therafin.com

ADJUSTING BRACKET HEIGHT TO FIT ARMPAD THICKNESS

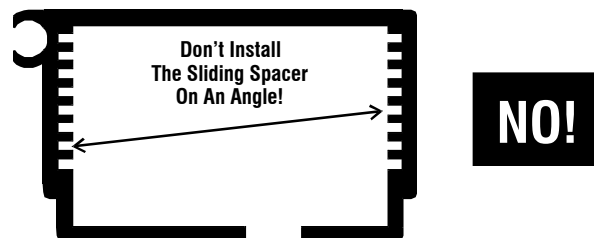
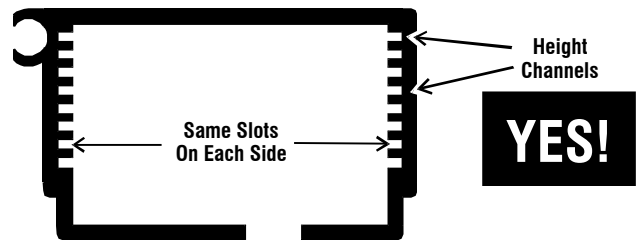
1. Slide tray with bracket over armrest, making sure **Rounded Pivot Pin Channel** is on the **OUTSIDE** of the armrest.
2. Push the bracket up, so the bottom of the bracket touches the under-side of the armrest.



3. To insert the **Sliding Spacer** into the appropriate **Height Channel**, put the **Snap Tabs** in a channel, then push the **Sliding Spacer** completely into the bracket so that the tabs go completely through the bracket and snap into place. This allows the **Sliding Spacer** to be locked in place. **NOTE:** To choose the correct **Height Channel**, choose the channel that will allow the bracket to snugly fit on the armrest pad. The bracket must fit snugly on the armrest to provide a stable mounting foundation.

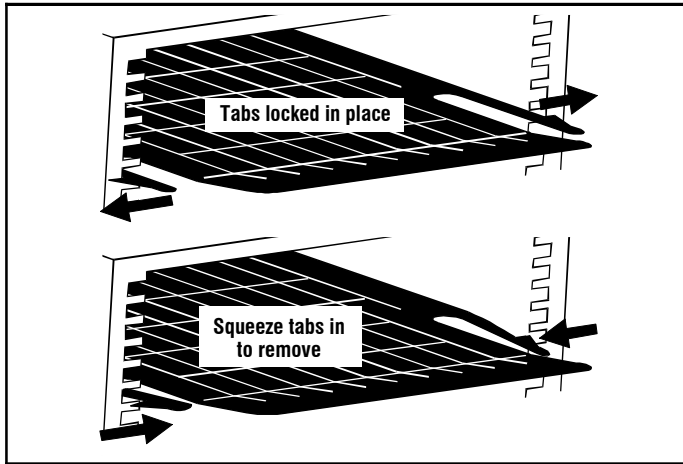


4. The **Snap Tabs** on either side of the **Sliding Spacer** **MUST BE INSTALLED INTO THE SAME SLOT ON EACH SIDE OF THE BRACKET.**



YouTube Watch Instructional Video for this product at <http://www.youtube.com/TherafinCorporation>

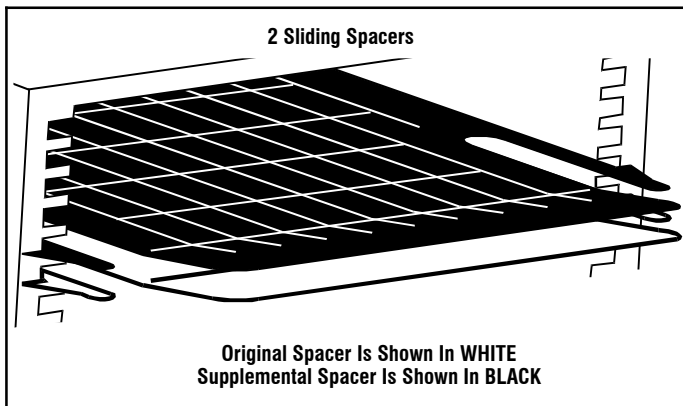
5. To remove the **Sliding Spacer**, gently squeeze both **Snap Tabs** in, and push the Sliding Spacer back through the bracket.



USING TWO SLIDING SPACERS

1. Two **Sliding Spacers** may be used together to provide maximum support in cases of extra weight or extreme pressure exerted on the half tray and bracket.
2. Adjust the bracket height to fit armpad thickness as shown on the reverse of this page. Clearly mark the slot you have chosen, so you don't change the snug fit on the armrest pad. Remove the **ORIGINAL Sliding Spacer**.
3. Install the **SUPPLEMENTAL Sliding Spacer** in the **Height Channel DIRECTLY ABOVE** (toward the tray) the slots you have marked.
4. Reinstall the **ORIGINAL Sliding Spacer** in the **Height Channel** you have marked.

NOTE: If the correct **Height Channel** to fit your armpad is the **VERY TOP SLOT**, you will not need to use two **Sliding Spacers**, as the bracket itself will provide the extra support needed.



You Tube Watch Instructional Video for this product at <http://www.youtube.com/TherafinCorporation>

If your tray is transparent polycarbonate, please read the following:

Polycarbonate (Clear) Product Cleaning Guidelines

Polycarbonate is virtually unbreakable when it is delivered. You can compromise the physical properties if certain chemicals (see below) have the ability to permeate the structure of the plastic. For this reason, note the guidelines below for cleaning your polycarbonate product:

- ◆ **DO** rinse the product with warm water prior to cleaning
- ◆ **DON'T** use abrasives or high alkaline cleaners
- ◆ **DON'T** leave chemicals on product for long periods, wash immediately
- ◆ **DON'T** apply cleaners in direct sunlight or at elevated temperatures
- ◆ **DON'T** use scrapers, squeegees or razors
- ◆ **DON'T** clean with gasoline
- ◆ **DO** follow the application with a lukewarm water rinse
- ◆ **DO** dry with a clean soft cloth

Recommended Compatible Cleaners and Detergents:

- ◆ Formula 409¹ ◆ Windex with Ammonia D³
- ◆ Joy² ◆ Palmolive⁴

Polycarbonate is **NOT** resistant to:

- ◆ Acetaldehyde, Acetic acid (conc.), Acetone, Acrylonitrile, Ammonia, Ammonium fluoride, Ammonium hydroxide, Ammonium sulfide
- ◆ Benzene, Benzoic acid, Benzyl alcohol, Brake fluid, Bromobenzene, Butylic acid
- ◆ Carbon tetrachloride, Carbon disulfide, Carbolic acid, Caustic potash solution (5%), Caustic soda solution (5%), Chloroethene, Chlorobenzene, Cutting oils, Cyclo hexanone, Cyclohexene
- ◆ Dimethyl formamide
- ◆ Ethane tetrachloride, Ethylamine, Ethyl ether, Ethylene chlorohydrin
- ◆ Formic acid (conc.), Freon (refrigerant & propellant)
- ◆ Gasoline ◆ Lacquer thinner ◆ Methyl alcohol
- ◆ Nitrobenzene, Nitrocellulose lacquer ◆ Ozone
- ◆ Phenol, Phosphorous hydroxy chloride, Phosphorus trichloride, Propionic acid ◆ Sodium sulfide, Sodium hydroxide, Sodium nitrate
- ◆ Tetrahydronaphthalene, Thiophene, Toluene, Turpentine ◆ Xylene

Polycarbonate is **DISSOLVED** by:


- ◆ Chloroform, Cresol, Dioxane, Ethylene dichloride, Methylene chloride, Pyridine

When cleaning this Polycarbonate product, a water and soap solution should be applied with a clean soft cloth. Dry with a clean soft cloth.

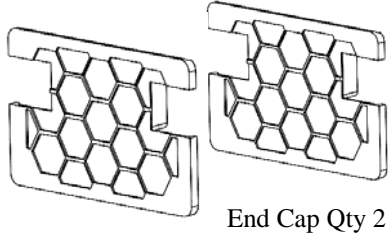
- ◆ Do not use Lock Tite on this Polycarbonate product

® Registered Trademarks of Clorox¹, Proctor & Gamble², Drackett Products³, Colgate Palmolive⁴

Quantum TB3 Armrest End Cap

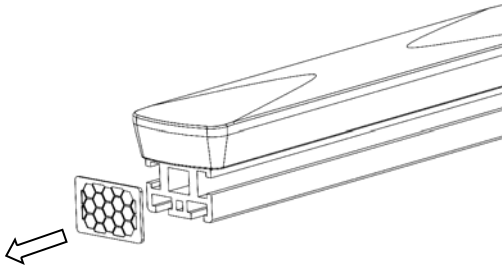
 Caution: Use caution when installing, removing or adjusting device to avoid pinching or trapping fingers.

Product Identification

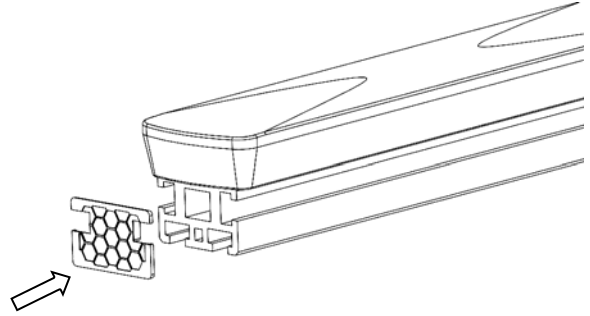



To Install:

Step 1: Remove existing end cap on TB3 armrest.



Step 2: Insert new end caps with notch oriented as shown.



 Therafin Corporation
9450 W Laraway Road
Frankfort, IL 60432 USA
800-843-7234

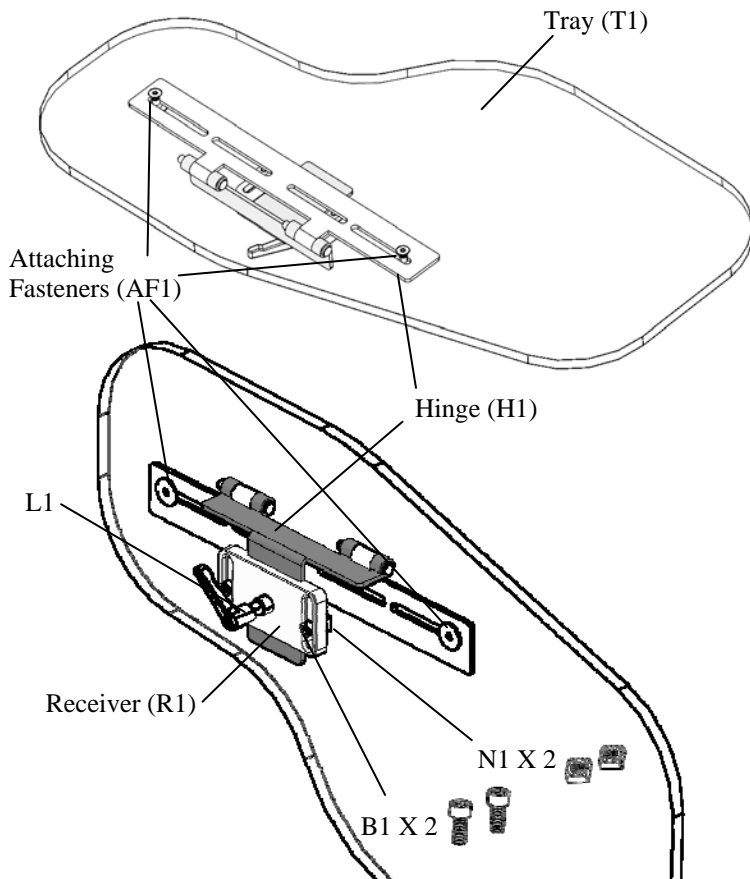
Permobil 3G Half Tray

- ⚠ Caution: Read Instructions before operating device.
- ⚠ Caution: Device should be installed by a trained wheelchair technician.
- ⚠ Caution: Use caution when installing, removing or adjusting
- ⚠ Caution: Always tighten all fasteners securely and inspect fasteners regularly for tightness.

Product Identification

Item Numbers:

41382, 41383, 41384, 41385, 41386, 41387, 41388, 41389
41390, 41391, 41392, 41393, 41394, 41395, 41396, 41397
41398, 41399, 41400, 41401, 41402, 41403, 41404, 41405
41406, 41407, 41408, 41409, 41410, 41411, 41412, 41413
41414, 41415, 41416, 41417



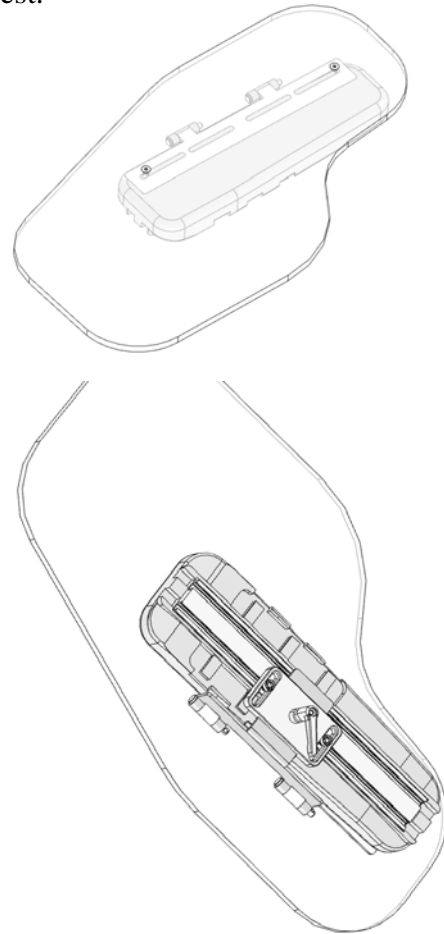
Item Numbers:

41380, 41382

Same as above - No Tray (T1)

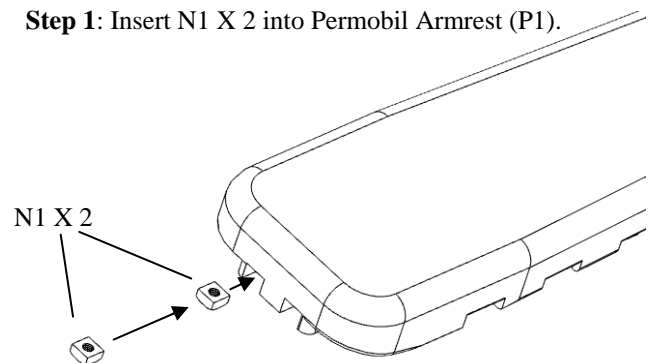
To Install:

Image below shows installed device mounted on armrest.



If No tray included, First attach *Your* Tray to hardware using included Fasteners (AF1) then proceed to Step 1.

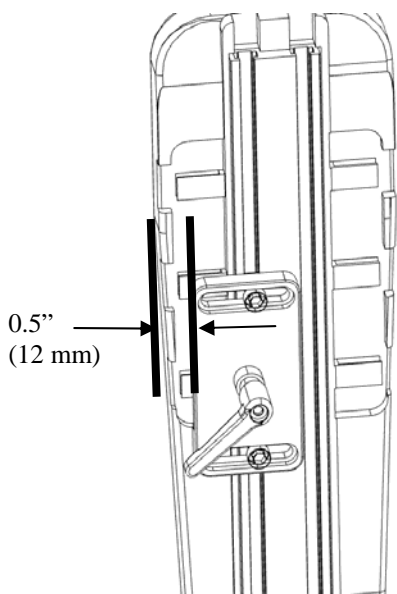
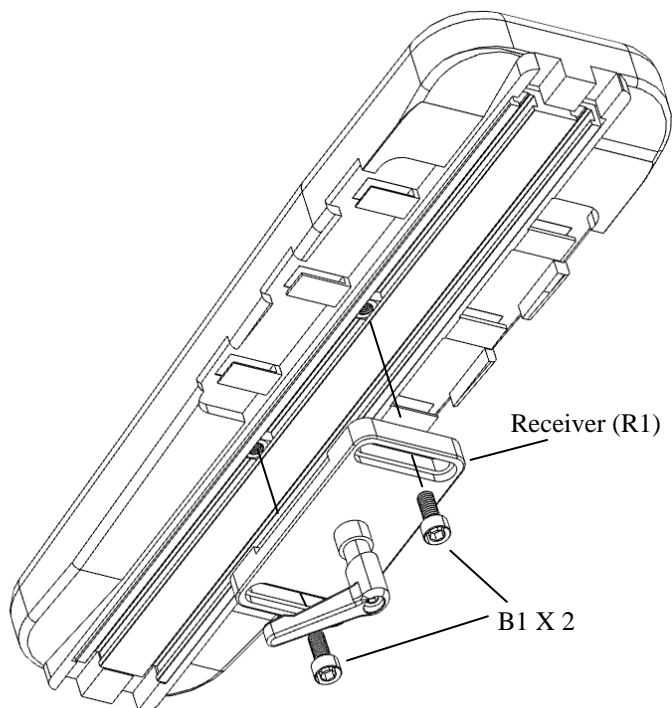
Step 1: Insert N1 X 2 into Permobil Armrest (P1).



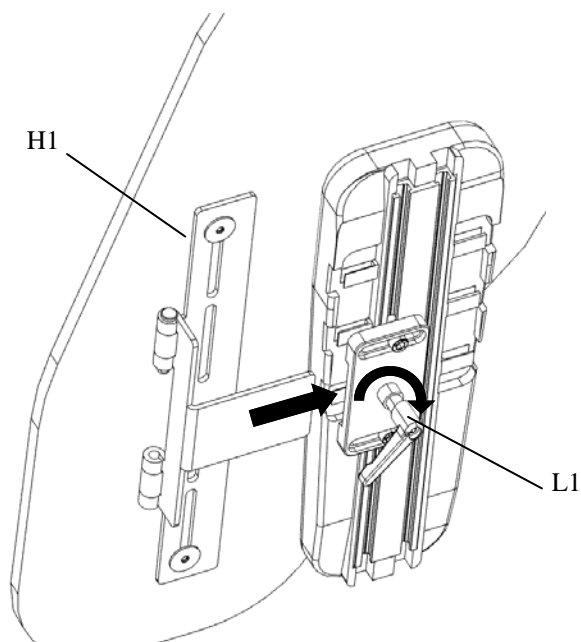
Therafin Corporation
9450 W Laraway Road
Frankfort, IL 60432 USA
800-843-7234
www.therafin.com

Permobil 3G Half Tray

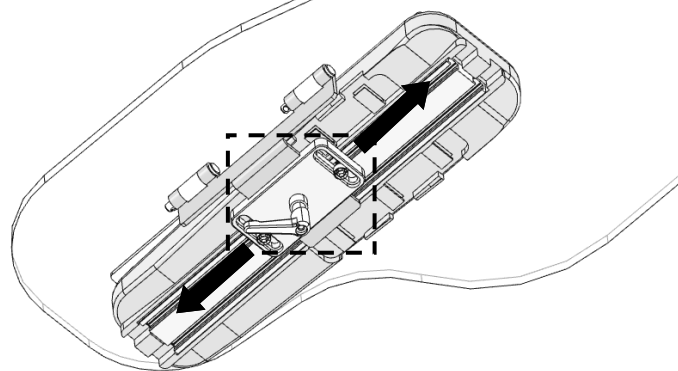
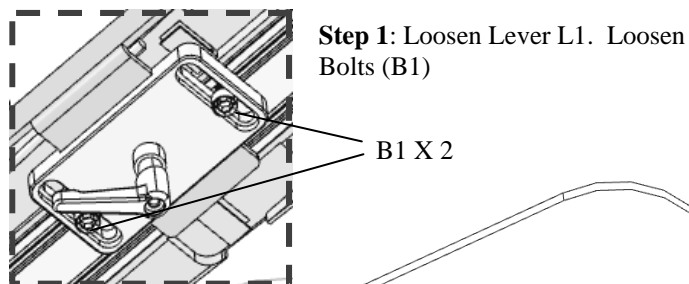
Step 2: Place Receiver (R1) on Permobil Armrest (P1) and Install and tighten bolts (B1). Place Receiver near armrest edge.



Step 3: Slide Hinge (H1) into Receiver—Tighten Lever (L1).




To Adjust:



Step 2: Slide Receiver (R1) into desired position. Tighten Bolts (B1) and Lever L1.

Care and Cleaning

 Caution: Always tighten all fasteners securely and inspect fasteners regularly for tightness.

1. Clean with mild detergent and water using damp cloth.
Air Dry.



2. Check all fasteners and retighten as needed.

Warranty

Any product found to be defective due to the material or workmanship within one year will be replaced under our return policy following product evaluation by Therafin Corporation. This replacement warranty does not include misuse or neglect of the product.

*Document 08664
Revision A 04-2015*



Therafin Corporation
9450 W Laraway Road
Frankfort, IL 60423 USA
800-843-7234
www.therafin.com