

USABidet® H-1 Toilet Seat Mounted Bidet Installation Instructions

Parts included:

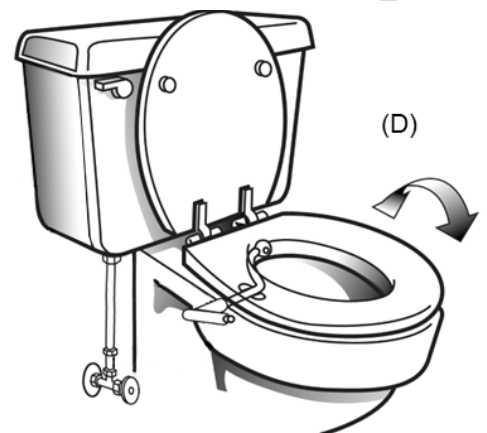
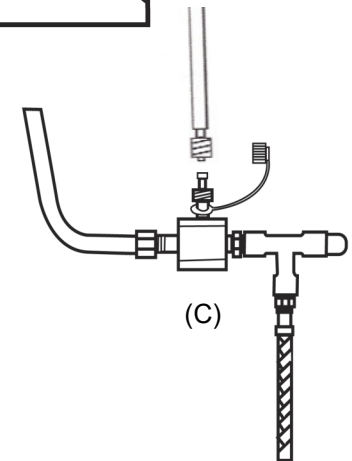
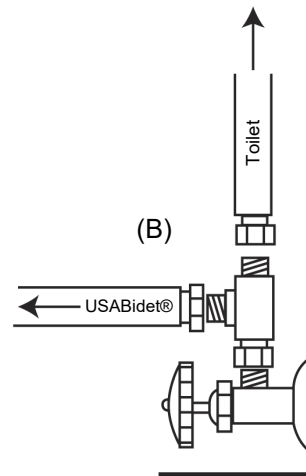
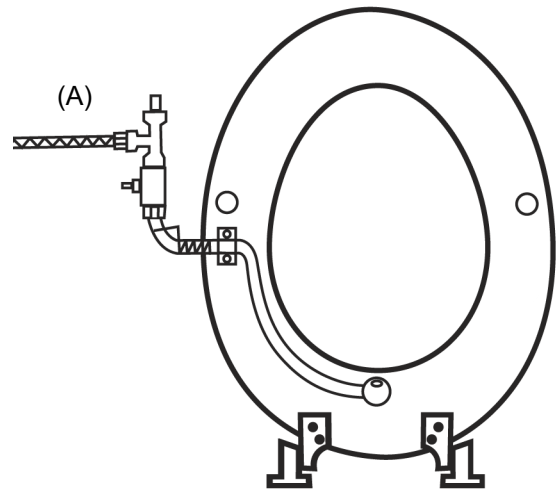
Mechanical assembly
Water supply t-valve connector
Stainless steel screws
Stainless steel mounting bracket
Self-adhesive bumpers

You will need:

Hand drill with 7/64" bit or hand awl
Small adjustable wrench or 5/8" wrench
#2 Phillips screwdriver

1. Close the valve supply water to the toilet tank. Flush toilet to drain the tank.
2. Remove the toilet seat and lay it on a flat work surface. This is easier than installation while seat is mounted.
3. Center the USABidet® to the underside of the toilet seat so that the nozzle lies just under the seat opening (1/4" - 1/2" see drawing A).
4. Set the mounting bracket over the straight arm of the unit. Mark the wholes with a pencil, drill, and mount the assembly to the seat.
5. Once the bracket has been fastened, remove the rearmost screw and use it to anchor the narrow loop of the spring to the mounting bracket. This will tension the spring and keep the USABidet® against the seat and out of the way until needed.
6. Clean the bottom of the seat, remove the adhesive covering and mount the bumpers to both sides of the mounting bracket.
7. Remove the water supply line at the closed valve and install the t-valve (B).
8. Connect the braided stainless waterline from your USABidet® and water supply line to the t-valve.
9. Slowly re-open the water supply valve to allow tank to refill and slightly press down on the control button to release trapped air. Your USABidet® is now ready to use.

*Over for cleaning instructions for the USABidet®
and for left handed installation instructions.*



LEFT-HANDED Installation of your USABidet® H-1

1. Follow the set mounting instructions for setting the USABidet® and mounts by removing the toilet seat and laying it onto a flat surface with the underside up.
2. The front of the toilet seat should be pointing away from you.
3. Mount the USABidet® to the right side of the inverted seat.
4. MOST IMPORTANT: Before fastening the spring through the narrow loop and seat fitting, you must unwind the spring ½ turn to allow it to be fixed to the seat using the mounting screw through the rearmost (closest to you) hole in the mounting bracket. This will pull the bidet against the seat if you have done it correctly.
5. Place the seat back onto the toilet and tighten the hardware.
6. The waterline should be run behind the seat and attached to the enclosed t-valve.
7. Turn on the water.

USABidet® Cleaning Instructions

The external surfaces of the USABidet® may be cleaned by simply wiping with standard bathroom cleaners used for brightwork on toilets, sinks, and tubs. It is recommended that the surfaces be rinsed with water to remove remaining cleaning agent.