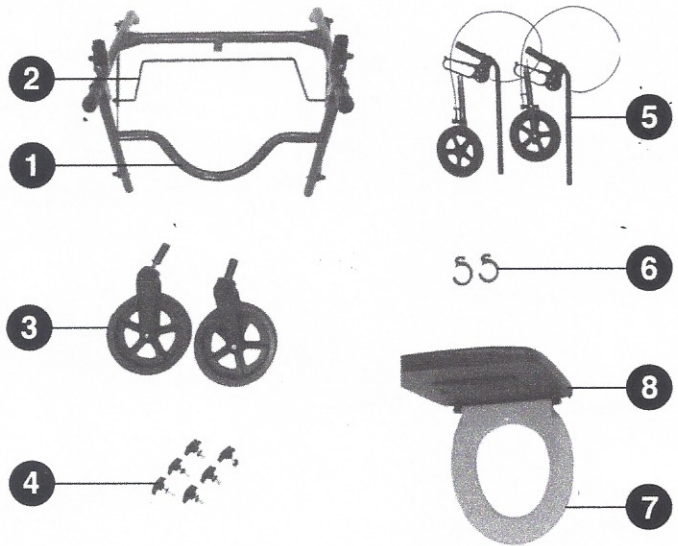


Free2Go Rollator

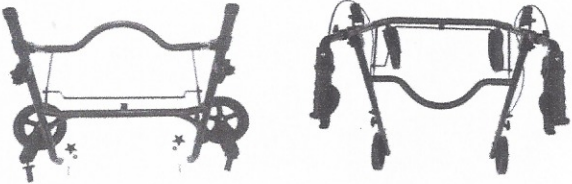

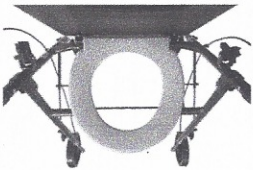


Assembly Instructions

Parts

- 1 Rollator Frame
- 2 Folding Hinge with Black Metal Cross Bar
- 3 Front Wheels
- 4 Metal Screw, Washer, and Knob (6 sets)
- 5 Hand Grip, Brakes, and Rear Wheel Assembly
- 6 Clips to Secure Brake Cable
- 7 Padded Commode Seat with Wipe Pouch
- 8 Backrest



Assemble: 4 Easy Steps (No Tools Required)

<p>1</p>  <p>Remove rollator frame 1 from box and lay on flat surface. Secure black metal cross bar 2 onto frame, allowing the folding hinge to lock in a straight position. Insert front wheels 3 into openings at base of frame; secure with metal screw, washer and knob 4</p>	<p>2</p>  <p>Insert hand grips with pre-assembled locking loop brakes 5 into handlebar openings and adjust to desired height. Insert the metal screw into the selected hole and secure with washer and knob 4. Insert wheels and secure with screw, washer, and knob 4. Secure brake cable to the rollator frame with the two plastic clips 6</p>	
<p>3</p>  <p>Center the padded commode onto the frame; press down to secure onto rollator frame 7</p>	<p>4</p>  <p>Insert foam backrest 8 into openings on each side and secure in place</p>	

How to Fold:

Lift padded seat and pull up on black metal cross bar; unit will collapse

Act responsibly! Wipe commode seat top and bottom after use. A pouch to store disposable cleaning wipes is located on the under side of the padded seat