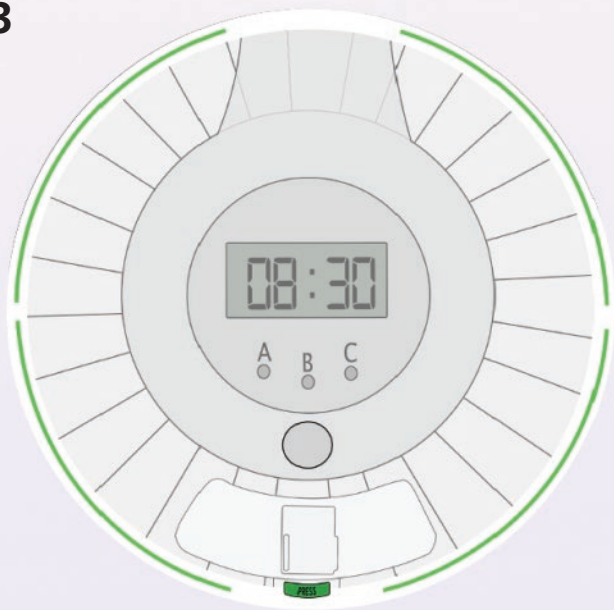


KINSMAN Automatic Pill Dispenser 29063



QUICK START

GUIDE

KINSMAN
ENTERPRISES

Some things to note before we begin:

DO NOT try to manually move the tray around with your finger, this could break the mechanism.

The tamper deterrent lock SHOULD NOT be overturned OR turned in the wrong direction, otherwise the lock will break.

DO NOT place the Automatic Pill Dispenser in direct sunlight or strong ultraviolet light as it may cause malfunction in operation.

The device has a battery saving feature which will make the LCD screen go blank after one minute. To activate the display, tip the device or press button 3. The machine will still keep track of the time in time saving mode.

■ Introduction

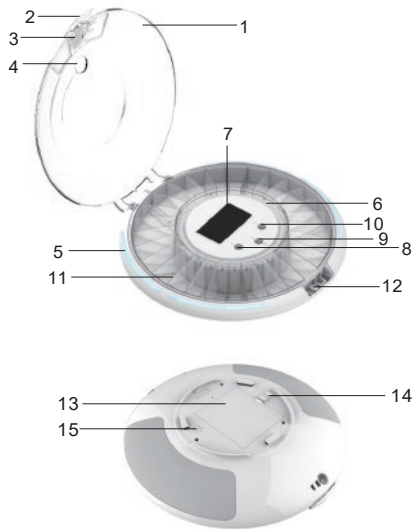
Thank you for purchasing The Automatic Pill Dispenser Standard Edition. It is our desire for you to be happy with everything you purchase from us. This Quick Start Guide offers you a thorough walkthrough of your new device and all its features.

■ Intended Use

Whether you are using it to keep track of your own medications, or to assist or inform a family member, this Pill Dispenser promotes better health by alerting users when to take medications so they never miss a dose. Organizing medications correctly, assigning dose times and determining what medications go into each compartment is the responsibility of you or your caregiver.

■ Parts & Controls

1. Top Cover
2. Cover Handle
3. Dispense Door
4. Dosage Window
5. Light Indicator
6. Dosage Ring
7. LCD Display
8. Button A
9. Button B
10. Button C
11. Removable Tray
12. Cover Lock
13. Battery Door
14. Battery Door Latch
15. Speaker



■ Inserting the Batteries

1. Slide battery door latch out and remove the battery door.
2. Insert 4 new AA batteries (included) in as directed and close battery latch. Once powered, the LCD Display will turn on.



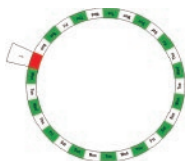
■ Opening or Locking the Top Cover

1. To unlock; locate the cover lock on the bottom of the unit and insert the included key, and then turn one quarter clockwise (right) to unlock.
2. Put pill dispenser on table, press the cover handle to release the latch, then lift to open the top cover.
3. To close and lock the top cover, press down on the latch to ensure the unit is closed. Then, insert the key into the bottom side and turn the key one quarter counter-clockwise (left).



■ Inserting a Dosage Ring

1. Open the dispenser as directed above.
2. Select the correct dosage ring for your needs.
The rings are set up for 1-6 doses a day.
3. Set the correct dosage ring on the center of tray, and fold the tab down to secure in place.*
4. Place pills in the correct pill slot according to the pill schedule.



* Do not place anything in the compartment corresponding with the red marking.

■ Setting Up The Device

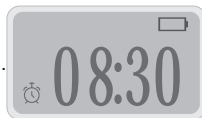
1. Setting the clock

- Open the top cover first using the earlier directions.

- Press and hold button A for approximately 3 seconds until the “.” symbol stops flashing.

- Press button B to adjust hour digits and press button C to adjust minute digits.*

- To confirm clock settings, press button A once.



2. Setting and checking alarm times

- Press button A once, an “alarm clock” symbol and the number “1” will be displayed.

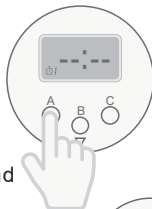
- Press button B to adjust hour digits and press button C to adjust minute digits.*

- To confirm setting press button A once.

- To cancel a previously set alarm, continue pressing button B until “-- : --” is displayed. This occurs after 23:XX or 11:XXpm. You can also press and hold button A until “-- : --” is displayed.

- Repeat above steps to set Alarm 2, 3, 4, 5, and 6.

- After confirming Alarm 6, display will return to clock mode.



3. Setting the time to be either 12 hour or 24 hour format

- Under clock mode, press button C once to enter time format setting, then press button C again to switch between 12-Hour and 24-Hour time formats.

- Confirm selected time format by pressing button A once or wait 15 seconds.



*Hold down B or C to cycle through the times faster.

4. Setting the volume

- Under clock mode, press button C once to enter volume control setting. Then, press button B to switch between 0 (mute), 1 (low volume), and 2 (high volume).
- Confirm selected volume control by pressing button A once or just wait for 15 seconds.



■ Take Medication and Stop Alarm

The pill dispenser will alarm when it's time to take your medication. Slide to open the dispenser door and tilt the dispenser to pour medications into your palm or a suitable container. Then, the alarm and light will turn off.



■ Low Battery and Power Saving

A low battery symbol (□) on the screen indicates the batteries need to be replaced.

To save power, the pill dispenser will stand by and the display will turn off if not used for a one minute. To wake it up, just touch or slightly move the pill dispenser.



Warranty Information

Our Limited Warranty And Warranty Period

Kinsman products are guaranteed to be free from defects in materials and workmanship under normal and intended use for 1 year from date of purchase. This warranty covers the electronic components, only. Warranty claims will only be considered when your product LED display shows “ERR” and cannot be set for regular use due to this error. The one year warranty above becomes effective from the date shown on your printed receipt or invoice. Warranty is valid with copy of original printed purchase receipt.

Replacement Policy

If product fails due to a defect in the materials or workmanship during the warranty period, we will, at our option, replace the product free of charge.

What Our Limited Warranty Does Not Cover

This warranty is non-transferable. We offer no other warranty. We offer NO WARRANTY in cases of damage, inadequate care or neglect, abnormal use, misuse, accidents, normal wear and tear, damage due to environmental or natural elements, failure to follow product instructions, immersion in liquid, battery leakage, improper installation, improper storage, improper maintenance of the product, or improper service or any other cause that did not come from defects in materials and workmanship.